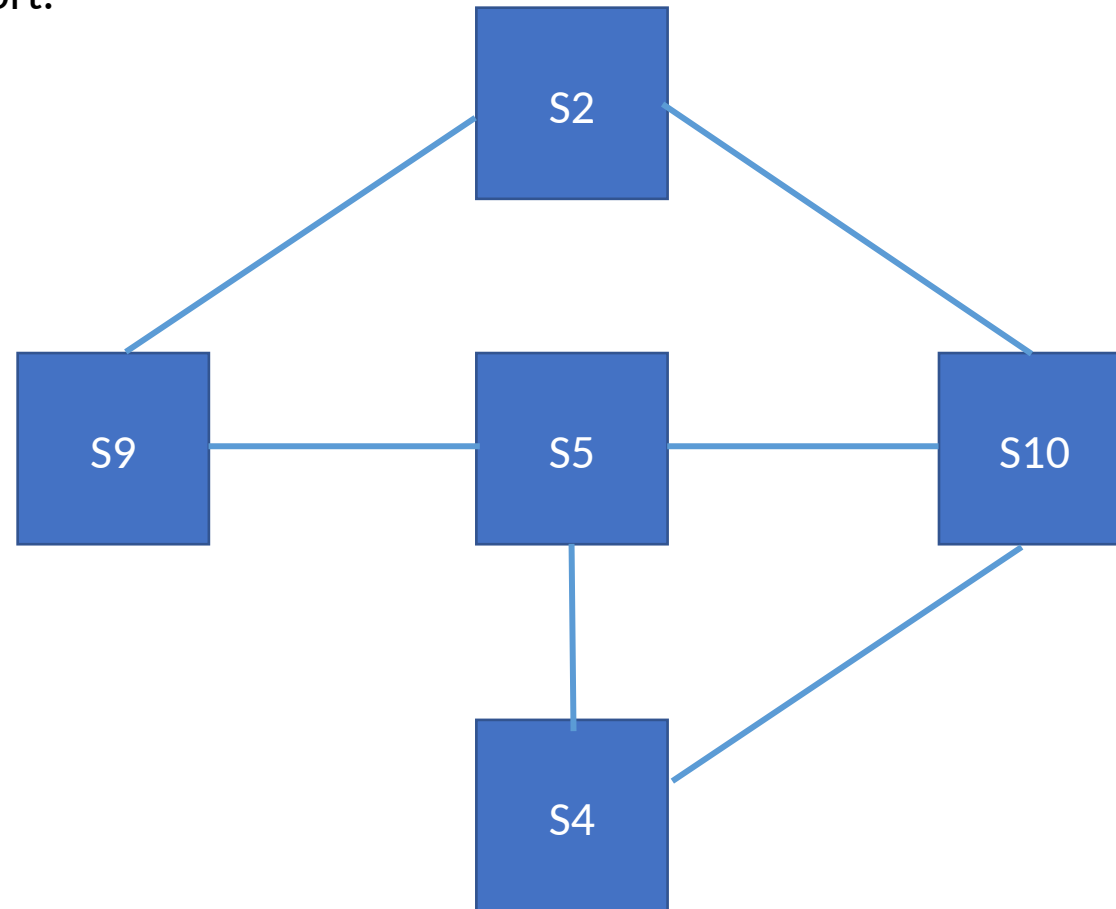


TP – Spanning Tree + Recap

[https://beta.computer-networking.info/syllabus/default/exercises/
lan.html#exercises](https://beta.computer-networking.info/syllabus/default/exercises/lan.html#exercises)

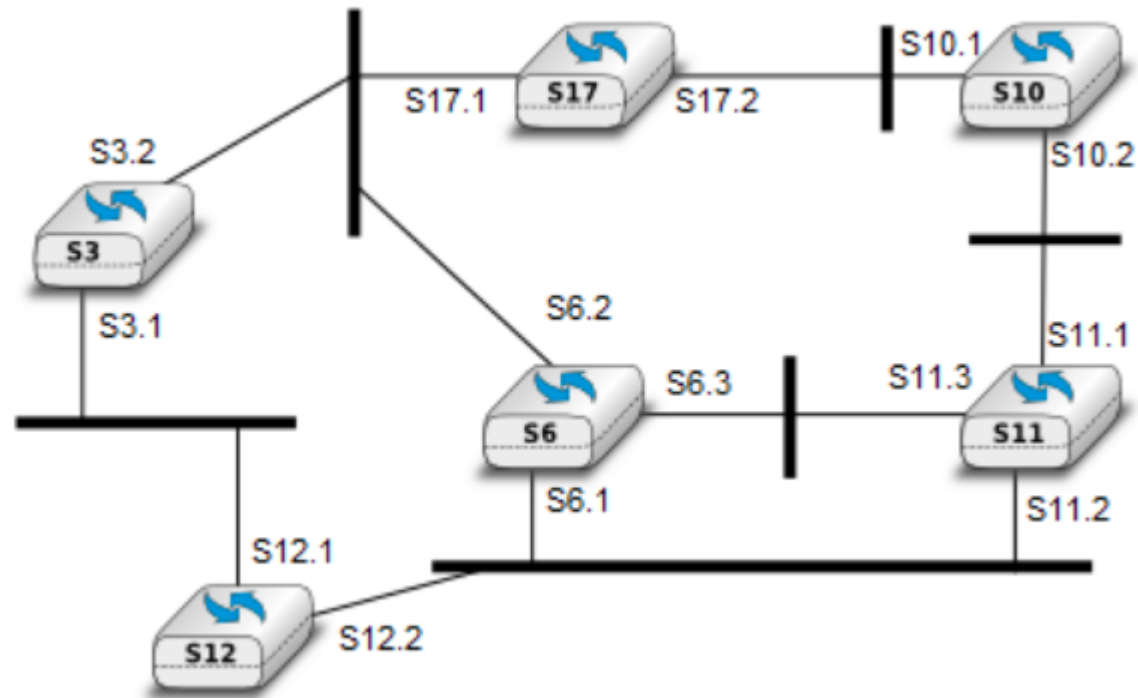
Open Question 3

What is the spanning tree that will be computed by 802.1d in this network assuming that all links have a unit cost ?
Indicate the state of each port.

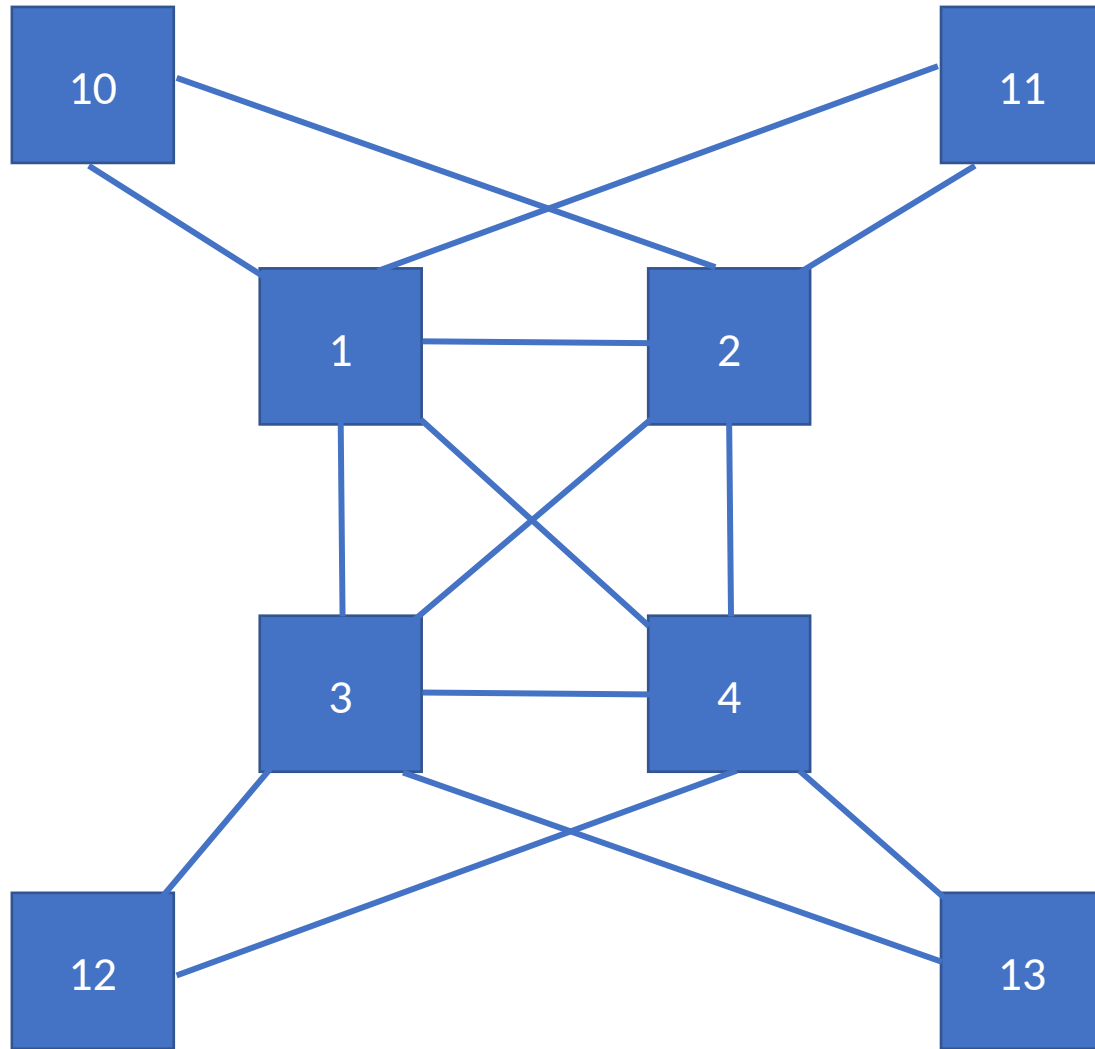


Open Question 1

What is the spanning tree that will be computed by 802.1d in this network assuming that all links have a unit cost ?
Indicate the state of each port.



Open Question 4



Many enterprise networks are organized with a set of backbone devices interconnected by using a full mesh of links.

In this network, what are the benefits and drawbacks of using Ethernet switches and IP routers running OSPF ?

Open Question 5

H0 wants to get index.html of example.com. Explain everything that happens in the network, assuming all devices just started. Same question after, but with a traceroute.

